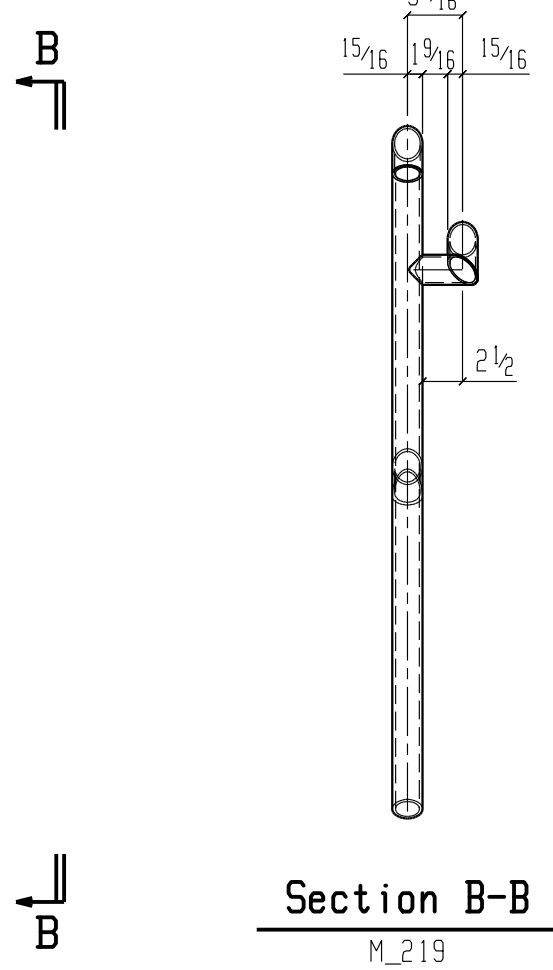
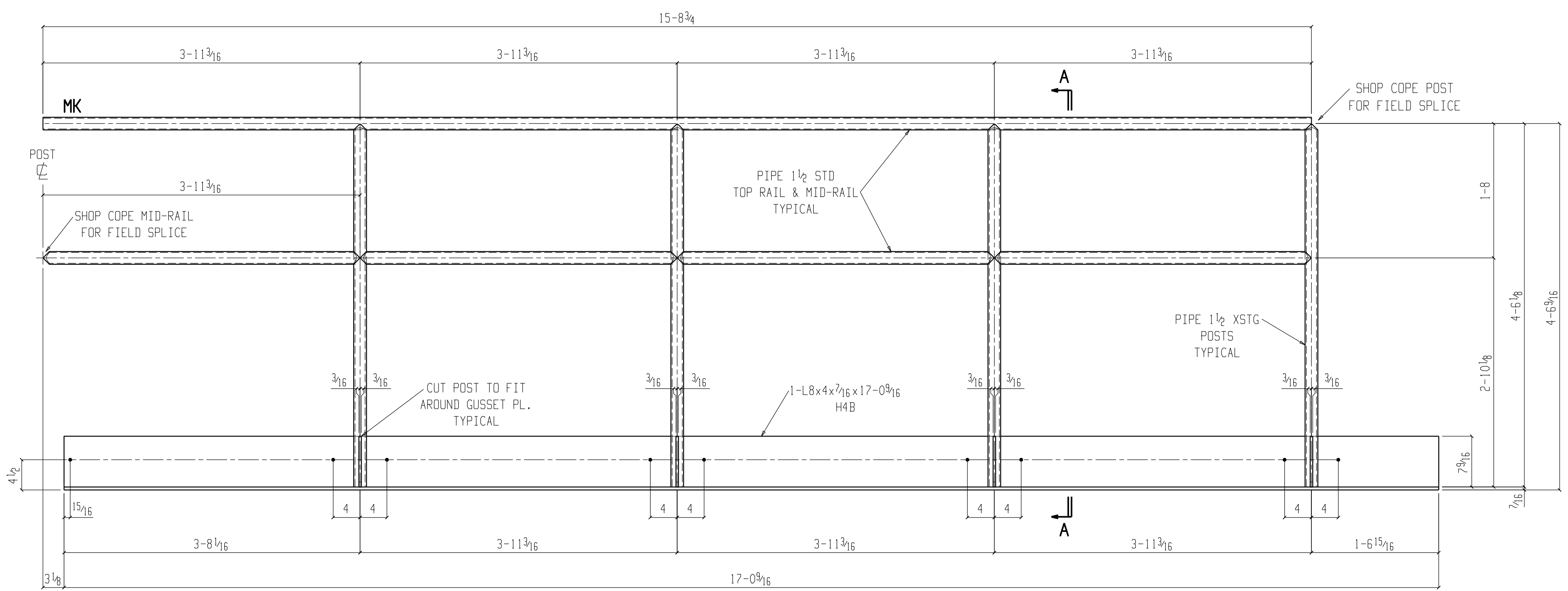


Section A-A
M_219

ONE HANDRAIL M_219

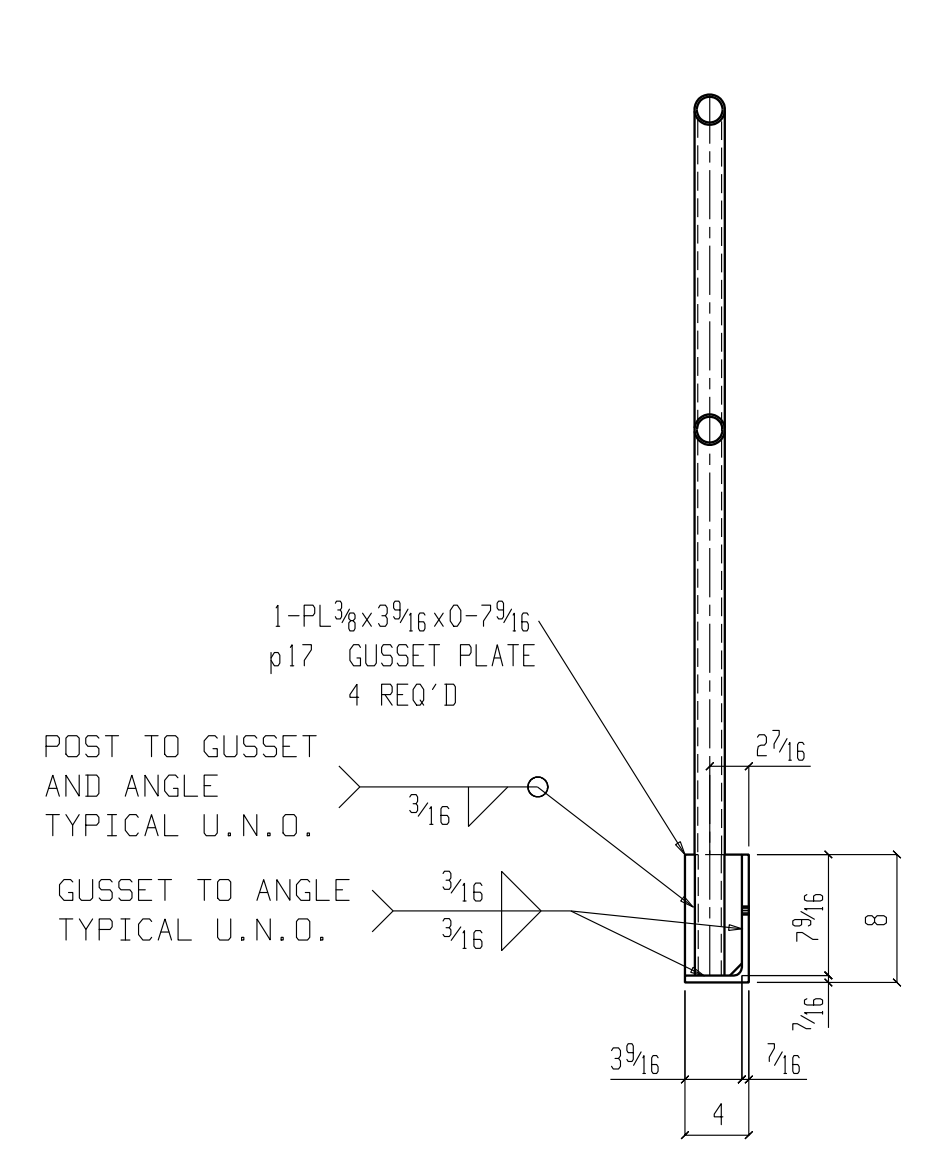


Section B-B
M_219



ONE ROOF GUARDRAIL H4B

3/16" TYPICAL HOLES U.N.O.



Section A-A
H4B

DRAWING REVIEW / APPROVAL
 NEW CENTURY ENGINEERING HAS MADE EVERY EFFORT TO CORRECTLY AND COMPLETELY INCORPORATE THE INTENT OF THE CONTRACT DOCUMENTS. APPROVAL BY THE CLIENTS REPRESENTATIVE SHALL CONSTITUTE ACCEPTANCE. ANY POST-APPROVAL CHANGES WILL BE CONSIDERED TO BE CONTRACT CHANGES.

NEW CENTURY ENGINEERING AND DESIGN 3106 E. VANTAGE PT. DR. MIDLAND, MICH. 48640 PHONE : (989) 633-3331 FAX : (989) 633-3334 serskine@newcenturyeng.com	FOR: company name	START DATE:	NEED JOB NO.:
	project name	REVISONS	DWG. NO.
	city, state	NO.	DATE
	TITLE: STRUCTURAL STEEL DETAILS		
project name			
xxxxx			
DRAWN BY: -	CHKD BY: -	DATE: -	