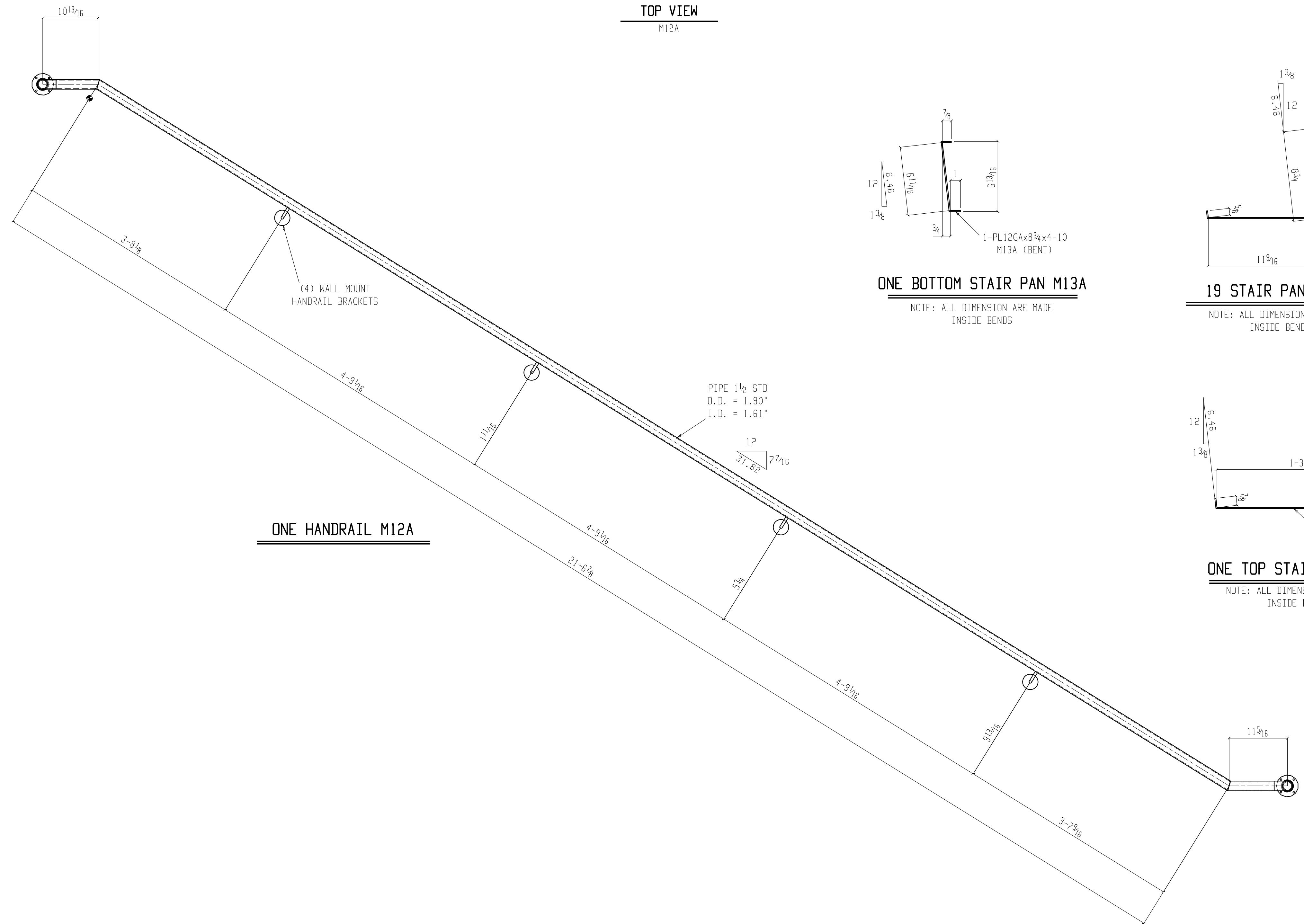
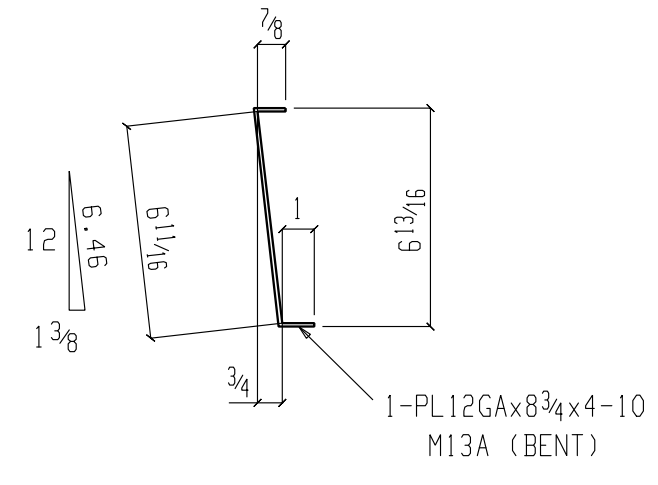


TOP VIEW
M12A

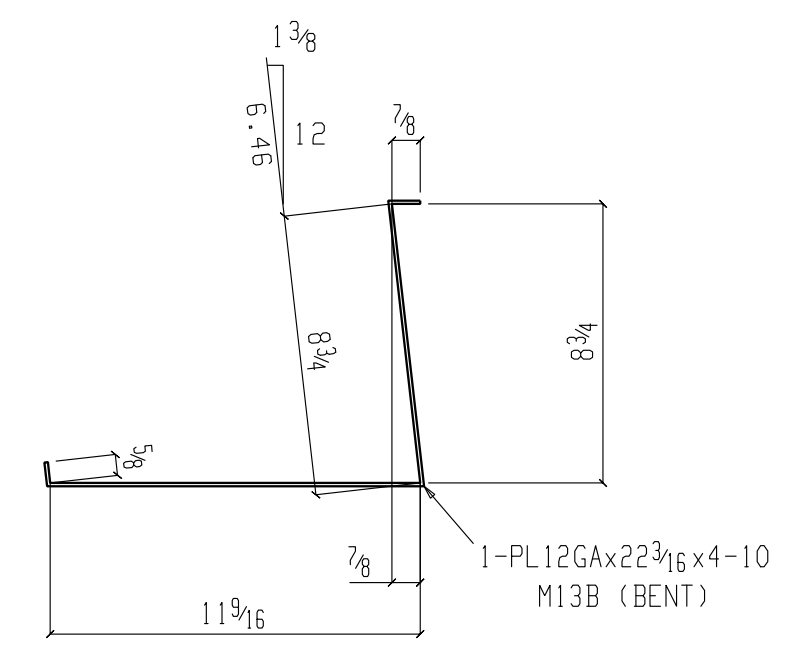


ONE HANDRAIL M12A



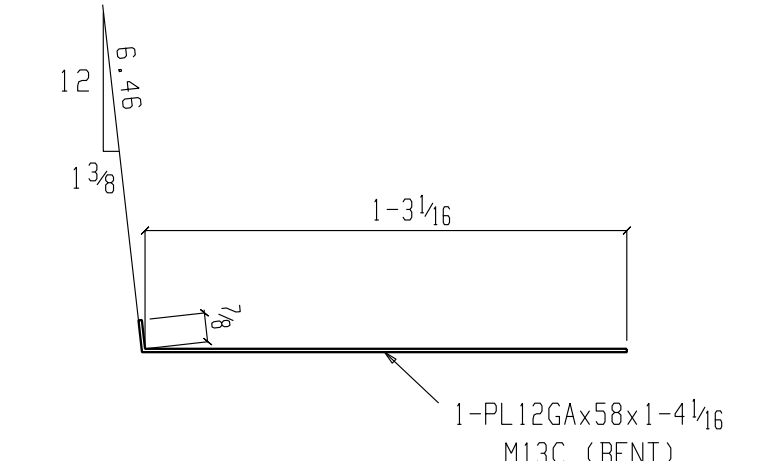
ONE BOTTOM STAIR PAN M13A

NOTE: ALL DIMENSION ARE MADE INSIDE BENDS



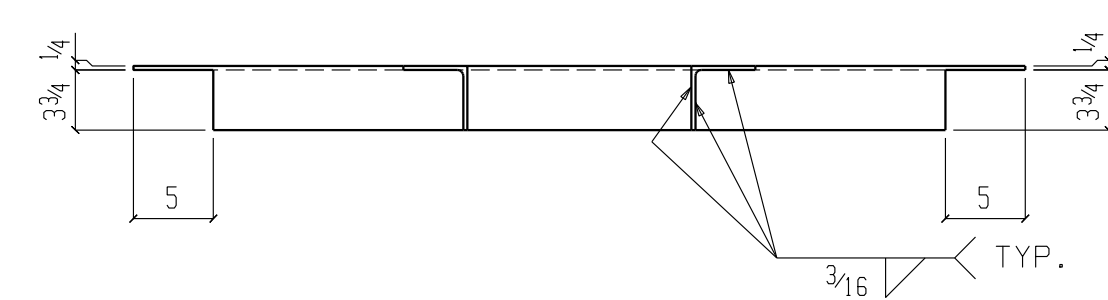
19 STAIR PANS M13B

NOTE: ALL DIMENSION ARE MADE INSIDE BENDS

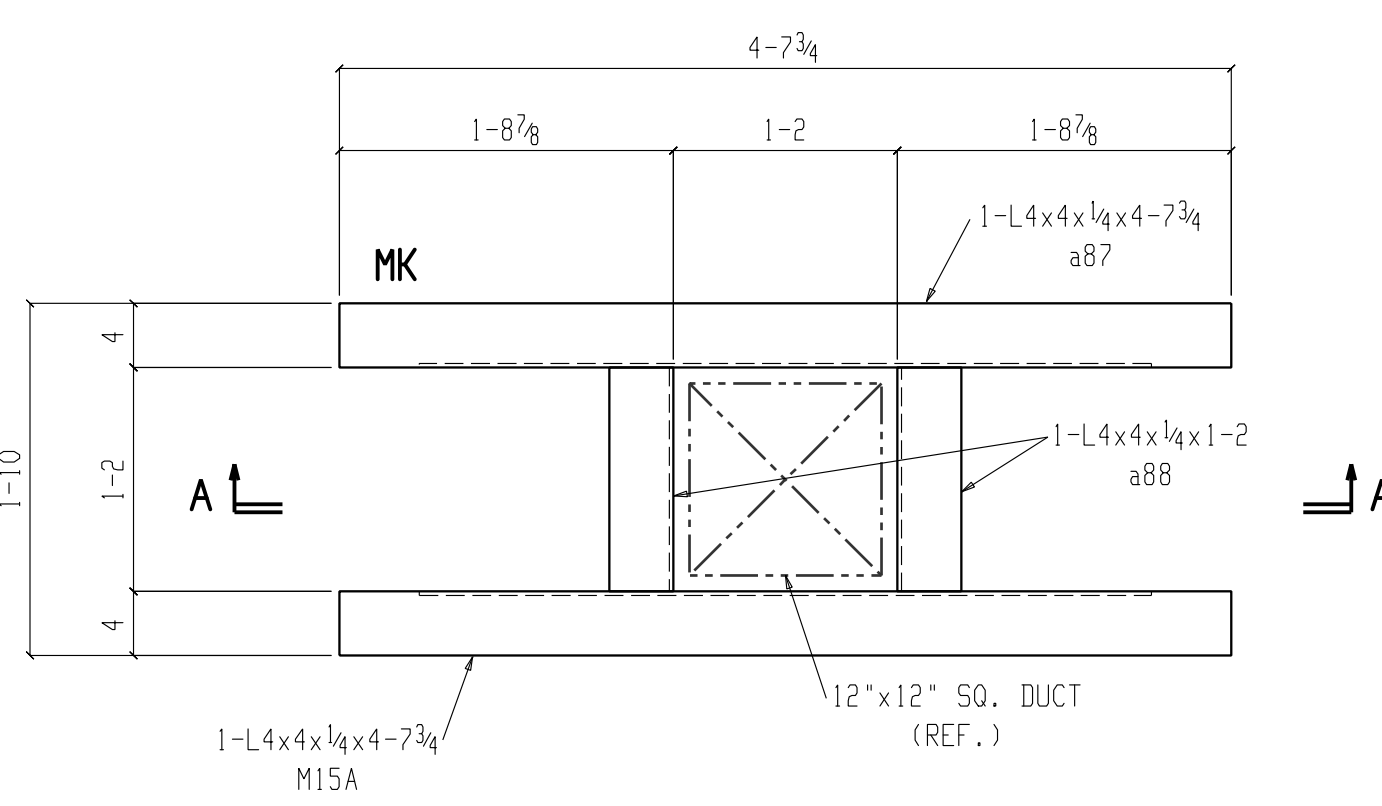


ONE TOP STAIR PAN M13C

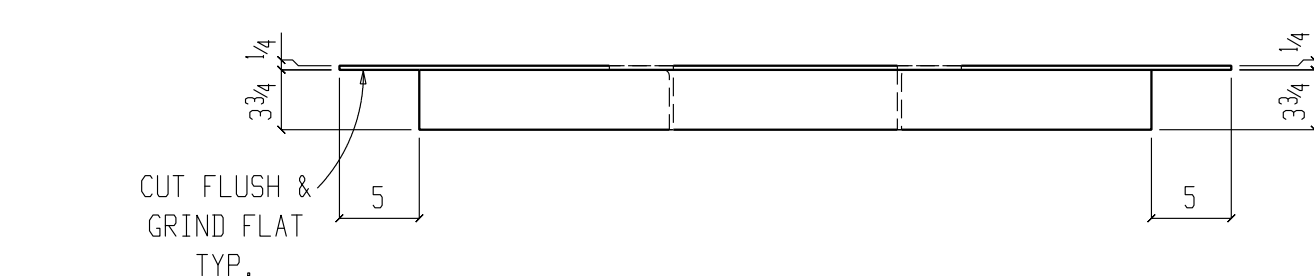
NOTE: ALL DIMENSION ARE MADE INSIDE BENDS



Section A-A
M15A



4 RETURN AIR DUCT FRAMES M15A



GENERAL SHOP FABRICATION NOTES:

1. ALL WIDE FLANGE MEMBERS ("H" SHAPES) SHALL BE ASTM A572 GRADE 50 (W/ SPECIAL REQUIREMENTS PER AISC TECHNICAL BULLETIN #3 DATED 3/97) OR ASTM A582 GRADE 50. Fy = 50 ksi.
2. ALL STEEL PIPE TO BE ASTM A53 U.N.O.
3. ALL STEEL PLATES, ANGLES, CHANNELS, BARS, ETC. TO BE ASTM A36, (Fy=36 KSI)
4. ALL STRUCTURAL TUBE STEEL TO BE ASTM A500, GRADE B, (Fy=46 KSI), U.N.O.
5. ALL HOLES TO BE 1/16" DIA., U.N.O.
6. ALL WELDED CONNECTIONS TO BE ELECTRIC ARC WELDED W/ AWS SERIES E70 ELECTRODES.
7. ALL BOLTED CONNECTIONS TO BE W/ ASTM A-325 H.S. BOLTS W/ HARD NUTS & WASHERS.
8. ALL WELDS (SEAL WELDED) TO BE 1/8" LESS THAN MATERIAL THICKNESS U.N.O.
9. ALL ADDITIVES (DOUBLE ARROWS) ARE REF. TO CUT END OF MEMBER OR TOP OF COL. BASE PL. U.N.O.
10. PRIME, & PAINT PER FABRICATORS STANDARD RUST INHIBITING RED PRIMER, LEAD FREE. UNLESS NOTED OTHERWISE.
11. ERECTION PLAN PER SHEET E1.

DRAWING REVIEW / APPROVAL
NEW CENTURY ENGINEERING HAS MADE EVERY EFFORT TO CORRECTLY AND COMPLETELY INCORPORATE THE INTENT OF THE CONTRACT DOCUMENTS. APPROVAL BY THE CLIENTS REPRESENTATIVE SHALL CONSTITUTE ACCEPTANCE. ANY POST-APPROVAL CHANGES WILL BE CONSIDERED TO BE CONTRACT CHANGES.

 3106 E. VANTAGE PT. DR. MIDLAND, MICH. 48640 PHONE : (989) 633-3331 FAX : (989) 633-3334 serskine@newcenturyeng.com	FOR: company name project name city, state	START DATE: _____ REVISIONS NO. DATE	NCEC JOB NO. _____ DWG. NO. _____
	TITLE: STRUCTURAL STEEL DETAILS project name xxxxxx	DRAWN BY: _____ CKD BY: _____ DATE: _____	