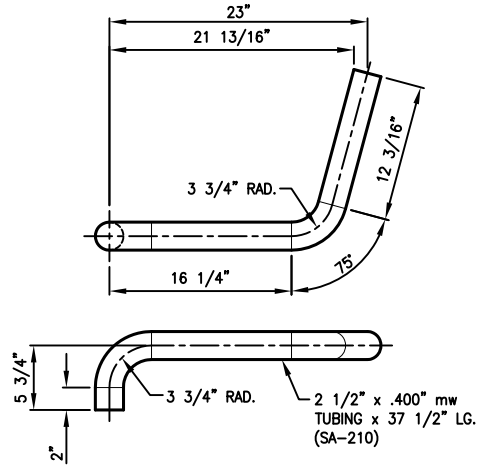
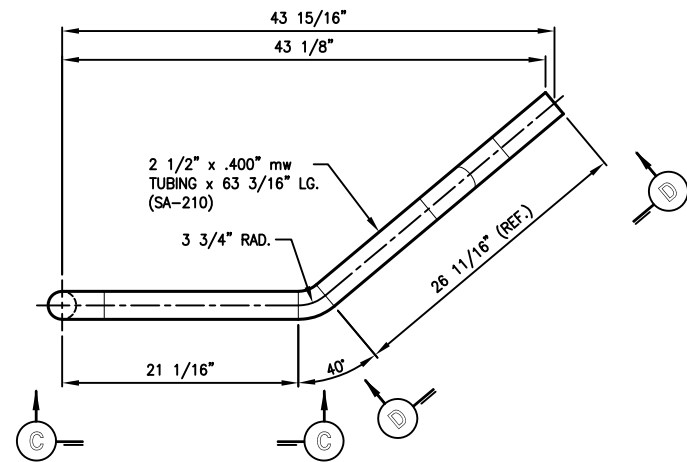


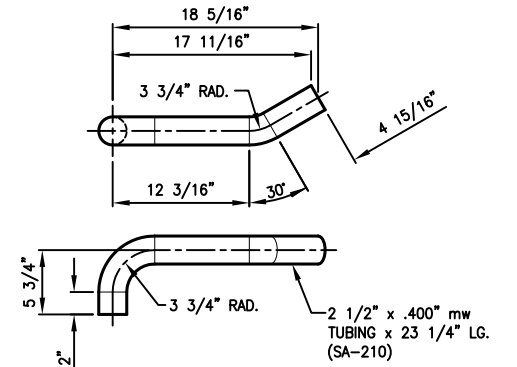
PIPE DETAIL FOR NOZZLE 1AS



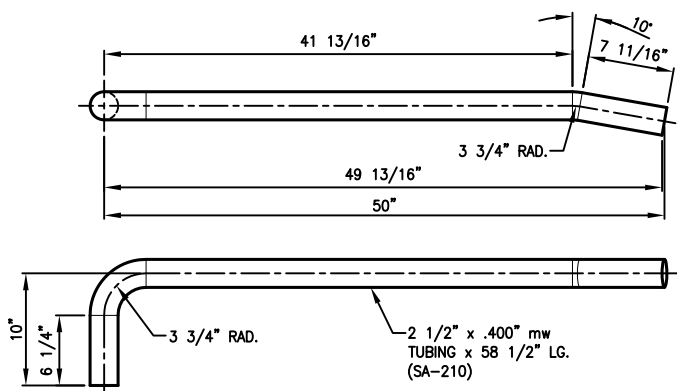
PIPE DETAIL FOR NOZZLE 1BS



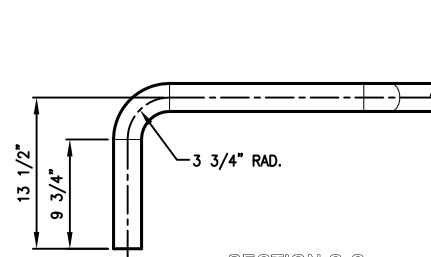
PIPE DETAIL FOR NOZZLE 2AS



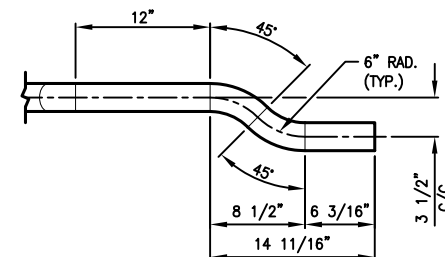
PIPE DETAIL FOR NOZZLE 2BS



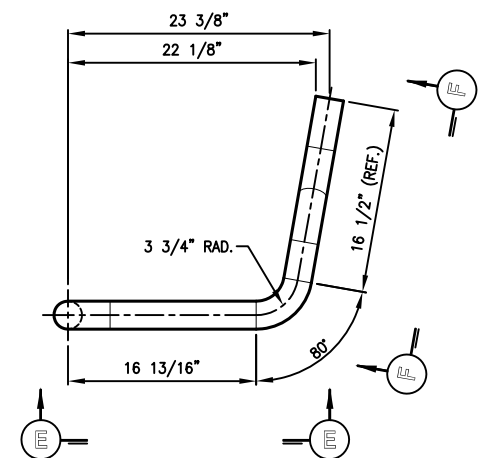
PIPE DETAIL FOR NOZZLE 3AS



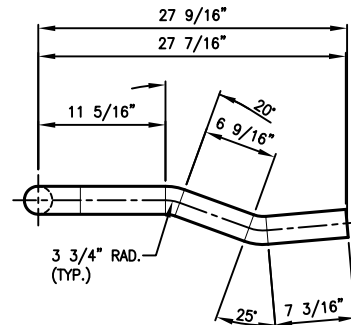
SECTION C-C



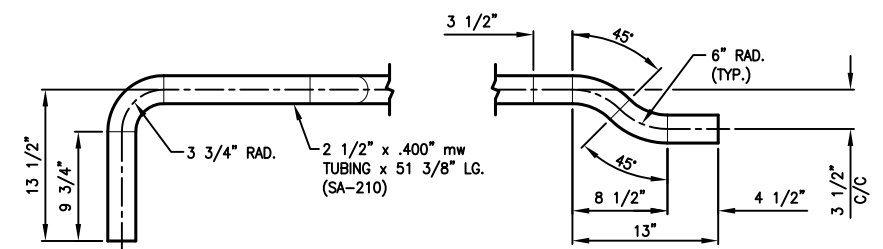
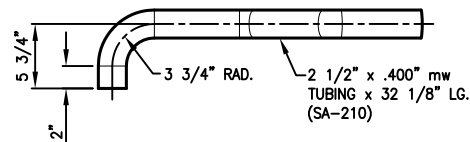
SECTION D-D



PIPE DETAIL FOR NOZZLE 4AS

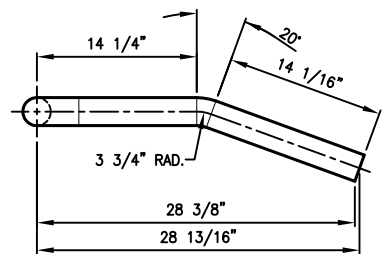


PIPE DETAIL FOR NOZZLE 3BS

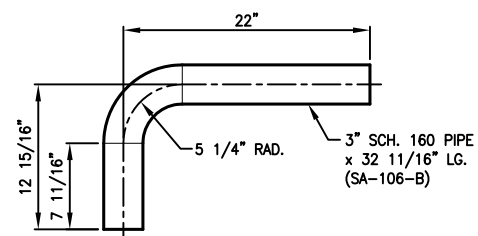


SECTION E-E

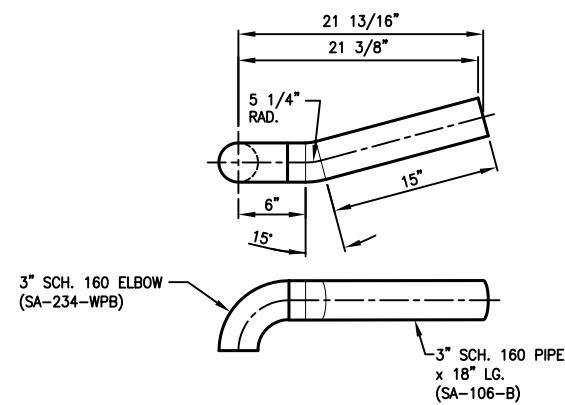
SECTION F-F



PIPE DETAIL FOR NOZZLE 4BS



PIPE DETAIL FOR NOZZLE 5AS



PIPE DETAIL FOR NOZZLE 5BS